



OIML Member State
Czech Republic

OIML Certificate No.
R76/2006-A-CZ1-24.03
Revision 2

OIML CERTIFICATE ISSUED UNDER SCHEME A

OIML Issuing Authority

Name: **Czech Metrology Institute**
Address: Okružní 31
638 00 Brno
Czech Republic

Person responsible: Jan Kalandra

Applicant

Name: **RADWAG WAGI ELEKTRONICZNE Witold Lewandowski**
Address: Toruńska 5
26-600 Radom
Poland

Manufacturer

Name: **RADWAG WAGI ELEKTRONICZNE Witold Lewandowski**
Address: Toruńska 5
26-600 Radom
Poland

Identification of the certified type *(the detailed characteristics will be defined in the additional pages)*

**Non-automatic weighing instrument, single range or multi range
type AS xxx.X7.yyy, PS xxx.X7.yyy and PS xxx.X7.M.yyy**

Designation of the module *(if applicable)*

-

This OIML Certificate attests the conformity of the above identified type (represented by the sample(s) identified in the OIML type evaluation report) with the requirements of the following Recommendation of the International Organization of Legal Metrology (OIML):

OIML R 76

Edition (year): 2006

For accuracy class (if applicable): **I, II**

This OIML Certificate relates only to metrological and technical characteristics of the type of measuring instrument covered by the relevant OIML Recommendation identified above.

This OIML Certificate does not bestow any form of legal international approval.

The conformity was established by the results of tests and examinations provided in the associated reports:

Test report No. 6052-PT-R0001-25 dated 8.1.2025 that includes 52 pages.

Test report No. 6052-PT-R0002-25 dated 8.1.2025 that includes 51 pages.

Test report No. 6052-PT-R0003-25 dated 8.1.2025 that includes 45 pages.

Test report No. 6052-PT-R0004-25 dated 8.1.2025 that includes 41 pages.

Test report No. 6052-PT-R0005-25 dated 8.1.2025 that includes 42 pages.

Test report No. 6052-PT-R0001-26 dated 5.1.2025 that includes 45 pages.

Test report No. 6052-PT-R0002-26 dated 5.1.2025 that includes 52 pages.

Test report No. 8551-PT-E0075-24 dated 14.9.2024 that includes 45 pages.

Test report No. 8551-PT-E0161-25 dated 15.1.2026 that includes 44 pages.

OIML type evaluation report 0511-ER-N060-25 dated 16.1.2026 that includes 6 pages.

The technical documentation relating to the identified type is contained in documentation file:

0511-UL-N060-25

OIML Certificate History

Revision No.	Date	Description of the modification
-	23 September 2024	Issuing of certificate
Revision 1	14 January 2025	Correction of Test reports numbers
Revision 2	21 January 2026	Addition of alternative hardware version

The OIML Issuing Authority

RNDr. Pavel Klenovský

Director of Certification Body



Date: 21 January 2026

Important note: Apart from the mention of the Certificate's reference number and the name of the OIML Member State in which the Certificate is issued, partial quotation of the Certificate and of the associated OIML type evaluation report(s) is not permitted, although either may be reproduced in full.

General information and basic characteristics

Instruments AS xxx.X7.yyy, PS xxx.X7.yyy and PS xxx.X7.M.yyy series (where: xxx – maximum range, yyy – optional design) consist a compact construction with display and weighing part. The certificate covers instruments in two hardware versions. The first hardware version was introduced with the release of the first version of the certificate and remains valid. The second hardware version is introduced as an alternative in Revision 2 of the certificate and is implemented in AS xxx.X7.yyy and PS xxx.X7.M.yyy only.

Main metrological characteristic

Model	AS xxx.X7.yyy	PS xxx.X7.yyy	PS xxx.X7.M.yyy
Accuracy class	class I	class II	class II
Maximum n	$n \leq 310\ 000$	$n \leq 100\ 000$	$n \leq 81\ 000$
Maximum capacity	Max ≤ 310 g or Max ≤ 1550 ct	Max $\leq 5\ 000$ g or Max $\leq 25\ 000$ ct	Max $\leq 8\ 100$ g or Max $\leq 40\ 500$ ct
e	$e \geq 1$ mg	$e \geq 10$ mg	$e \geq 100$ mg
d	$0.01e \leq d \leq e$	$0.1e \leq d \leq e$	$0.1e \leq d \leq e$
Maximum pan size	$\varnothing 100$ mm	128 x 128 mm	195 x 195 mm
Protection Class	IP43		
Power supply (AS, PS)	AC/DC 100-240 V AC 50-60Hz / 12-15 V DC		
Working temperature	+10 °C / +40 °C		
Embedded software version	Hardware version 1: 2.2.2 or 2.2.3 / Hardware version 2: 3.0.1 and 1.0.2		

Table 1 Metrological and technical specifications

Devices and functions

- Semi-automatic zero-setting device
- Initial zero-setting device $\leq 20\%$ Max
- Zero-tracking device $\leq 4\%$ Max
- Tare device
- Preset tare device
- Indication stabilization device
- Service menu via switch S1 on the main board
- Internal adjustment
- Gravity compensation
- Single or multi range (concerns PS xxx.X7.yyy only)

Interfaces

Interfaces used must comply with Directive 2014/31/EU, Annex I, point 8.4 and 5.3.6 of EN 45501. Following types of interfaces are used in X7 Series Balance: 2x RS232, 2x USB, Ethernet.

Power supply

The weighing instrument is to be used exclusively with the power supply unit delivered by the manufacturer.

Software

Determining the weighing result and its status is performed by the embedded software during measurement in real time. Then the weighing result and the status is transmitted in digital form via protected interface to a weighing indicator operating as a terminal for displaying and/or printing weighing results and having a touch screen for operator's interaction with the weighing instrument e.g. editing and entering parameters, zeroing, tarring etc.

The valid software version is:

- hardware versions 1: **2.2.2** or **2.2.3**
- hardware versions 2: **1.0.2** and **3.0.1**

Software identification is possible after pressing the ON/OFF button on the screen for software version 2.2.2 and 2.2.3 or by moving down and stretching the top bar on the screen for software version version 3.0.1 when the software operates.

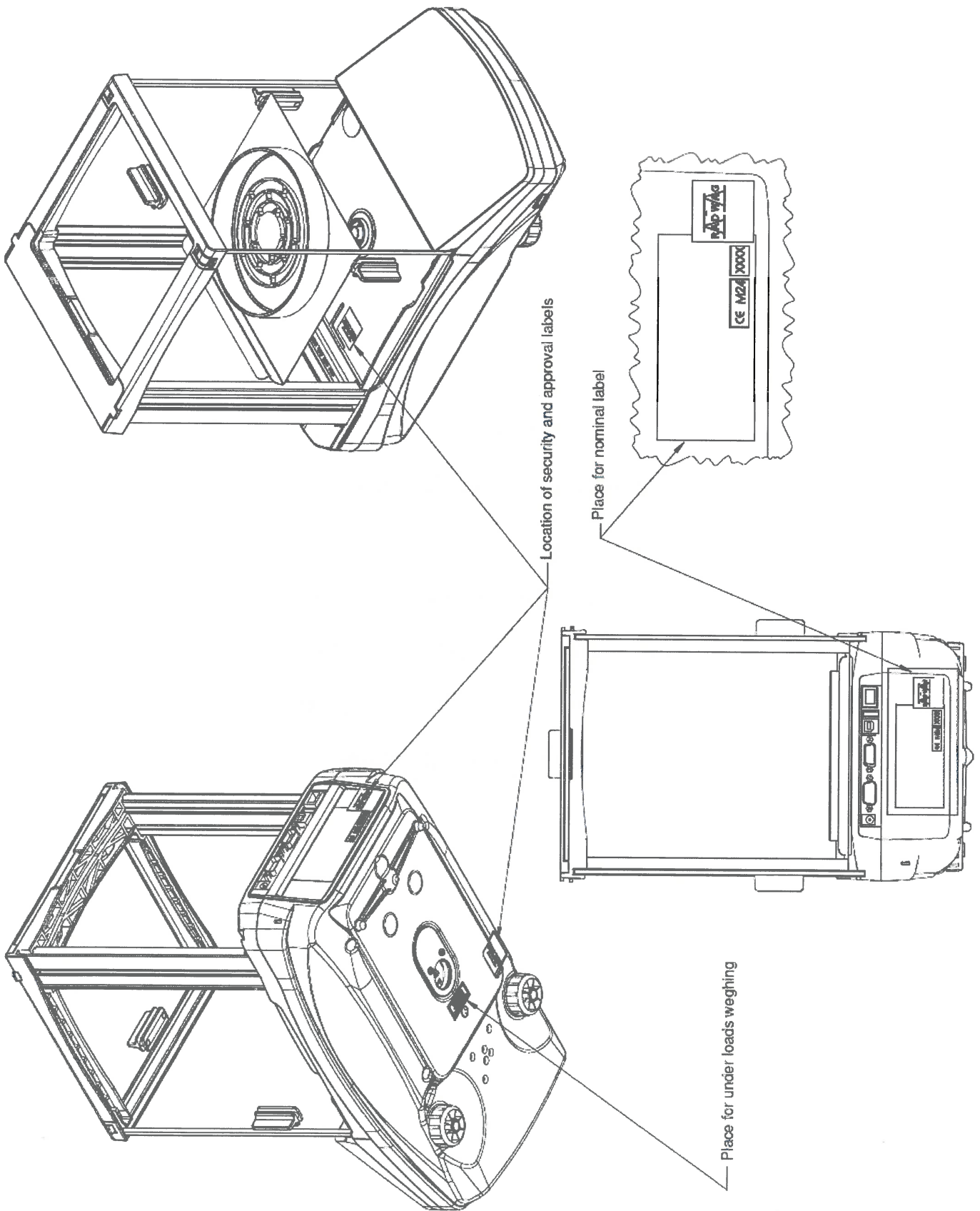
DSD Alibi Memory

The X7 family of balances operates on Linux operating system. They are designed as closed shell systems protected against running applications other than the one loaded in the internal flash memory by the manufacturer. Databases are saved as files. The additional protection is placing the system image and program on the same flash memory as databases. In case of any malfunction detected, the uploading fails and the device will not start.

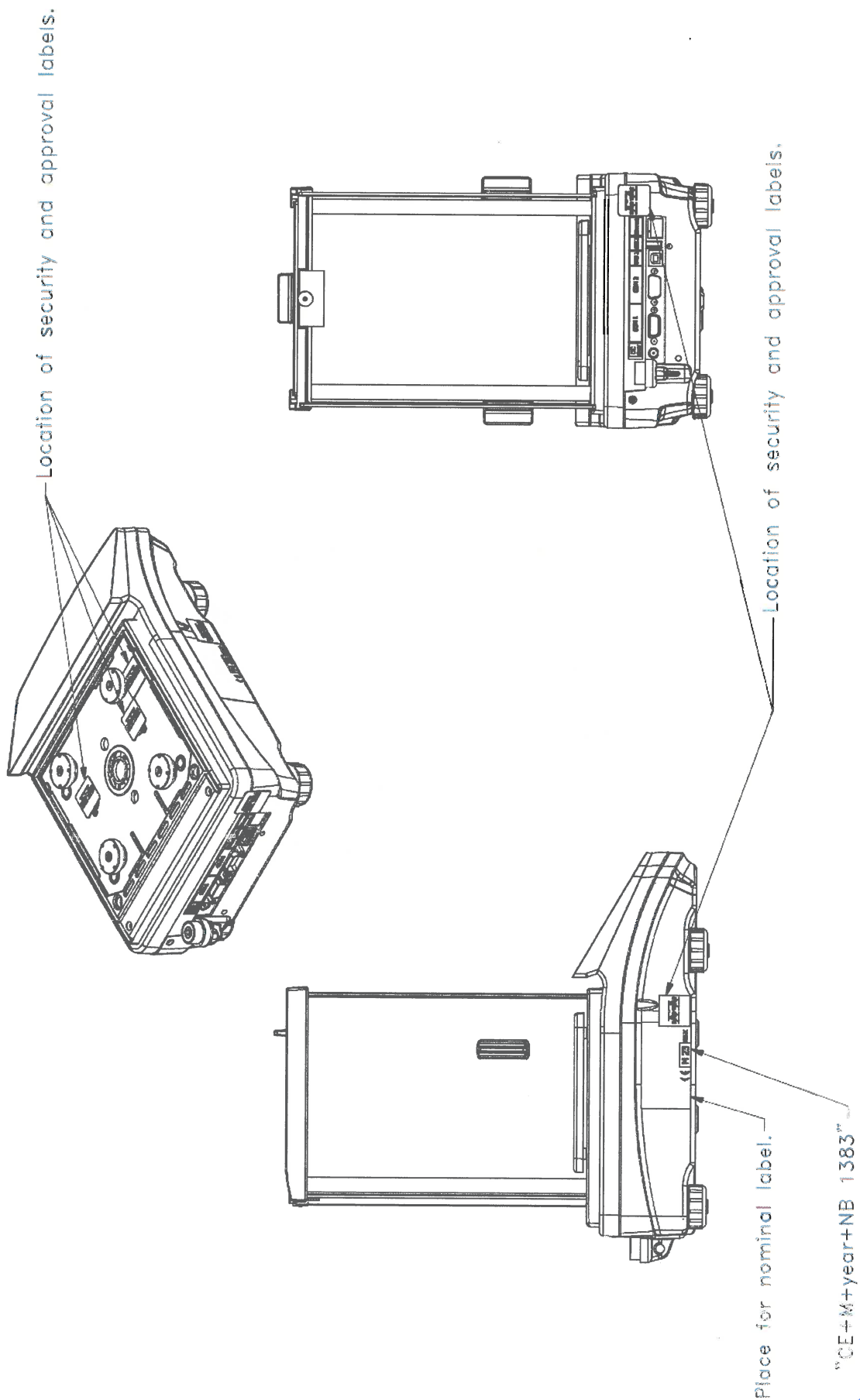
The alibi memory is organised using the database of weighings. In factory parameters, the manufacturer or distributors choose global parameter Quantity of stored weighing records. If all records in this protected database are filled the next record will be still saved in database of weighings. It is advisable to use parameter **Quantity of stored weighing records set to 500 000 by default** (can be increased in factory parameters) to protect DSD data in the view of recommendations included in WELMEC 2.5.

Securing components and verification marks

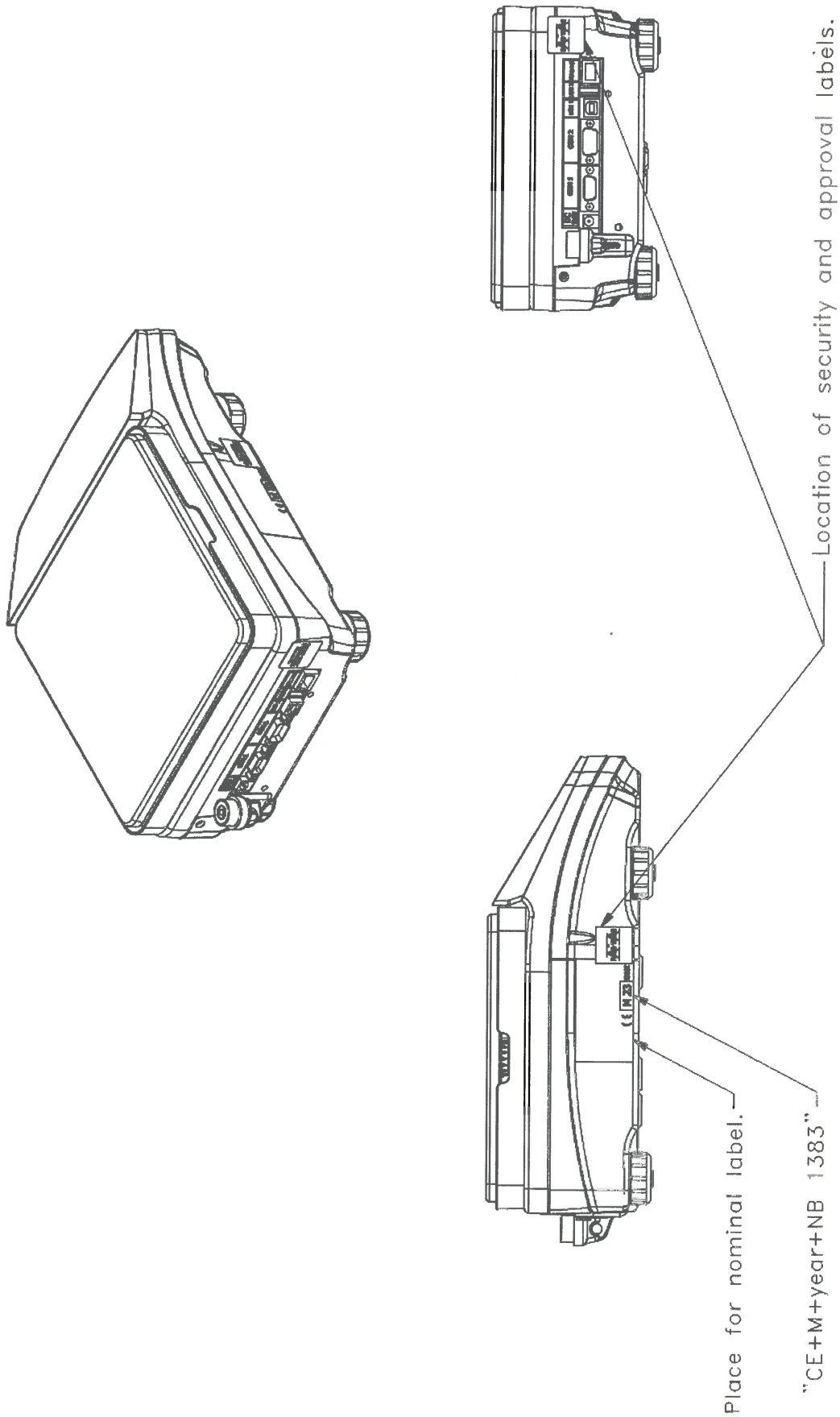
Components that may not be dismantled or adjusted by the user shall be secured by suitable manner on the locations indicated in documentation. The switch SW1 for adjusting and other factory settings is placed on the main board of the balance. The cover and calibration switch is secured by a sticker in accordance with the drawings 1 - 3 bellow.



Drawing 1 Localization of securing and nominal labels AS X7



Drawing 2 Localization of securing and nominal labels PS X7



Drawing 3 Localization of securing and nominal labels PS X7.M