

**OIML Member State**

Italy

OIML Certificate No.

R137/2012-A-IT2-26.01

OIML CERTIFICATE ISSUED UNDER SCHEME A**OIML Issuing Authority**

Name: Tifernogas S.r.l.
Address: Via R. Morandi 44/d, 06012 Città di Castello (PG), Italy
Person responsible: Paolo Tafani Alunno

Applicant

Name: ZENNER Metering Technology (Shanghai) Ltd.
Address: No. 800 Songda Road, Qingpu District
Shanghai – P.R. China

Manufacturer

Name: ZENNER Metering Technology (Shanghai) Ltd.
Address: No. 800 Songda Road, Qingpu District
Shanghai – P.R. China

Identification of the certified type *(the detailed characteristics will be defined in the additional pages)*

Type: Ultrasonic gas meter
Sonar UxxS
where xx can be G4 or U6 or U8

Designation of the module *(if applicable)*

Not applicable

This OIML Certificate attests the conformity of the above identified type (represented by the sample(s) identified in the OIML type evaluation report) with the requirements of the following Recommendation of the International Organization of Legal Metrology (OIML):

OIML R 137

Edition (year): 2012, including Amendment 2014

For accuracy class (if applicable): 1.5

OIML Certificate No.
R137/2012-A-IT2-26.01

This OIML Certificate relates only to metrological and technical characteristics of the type of measuring instrument covered by the relevant OIML Recommendation identified above.

This OIML Certificate does not bestow any form of legal international approval.

The conformity was established by the results of tests and examinations provided in the associated OIML type evaluation report:

No. TER26.02 dated 30 June 2026 that includes 43 pages

The technical documentation relating to the identified type is contained in documentation repository:

No. QW 2025/000110

OIML Certificate History

Revision No.	Date	Description of the modification
0	30/06/2026	Certificate Issuing

The OIML Issuing Authority

Paolo Tafani Alunno
Head of OIML Issuing Authority

Date: 30 June 2026

Important note: Apart from the mention of the Certificate's reference number and the name of the OIML Member State in which the Certificate is issued, partial quotation of the Certificate and of the associated OIML type evaluation report(s) is not permitted, although either may be reproduced in full.

General information of the instrument type

Manufacturer's trade mark	ZENNER
Type designation	Sonar IUxxS
Accuracy class	1.5
Connection threads size	M30x2, G7/8", G1", G1¼", M34x1.5, BS746 1", NPT 1"
Environmental classes	M2 / E2
Ambient temperature range	-40°C to +70°C
Gas temperature range	-40°C to +70°C
Base pressure	1.01325 bar (where applicable)
Base temperature	15°C (where applicable)
t _{sp}	15°C (where applicable)
Orientation	Connection Ports vertical
Flow direction	Forward flow only
Indicating device	Electronic
Ancillary devices	NB-IoT communication
Electrical power	Lithium battery, 3.6V
Software identification	711001 – CRC: D457E139

Additional information of the instrument type

Designation	Q _{max} [m ³ /h]	Q _t [m ³ /h]	Q _{min} [m ³ /h]	Cases material	P _{max} [bar]	Conn. Dist. [mm]
Sonar IUG4S	6	0.6	0.04	Steel	0.5	90 or 100 or 110
Sonar IUU6S	6	0.6	0.04	Steel	0.5	90 or 100 or 110
Sonar IUU8S	8	0.8	0.04	Steel	0.5	90 or 100 or 110

Labels

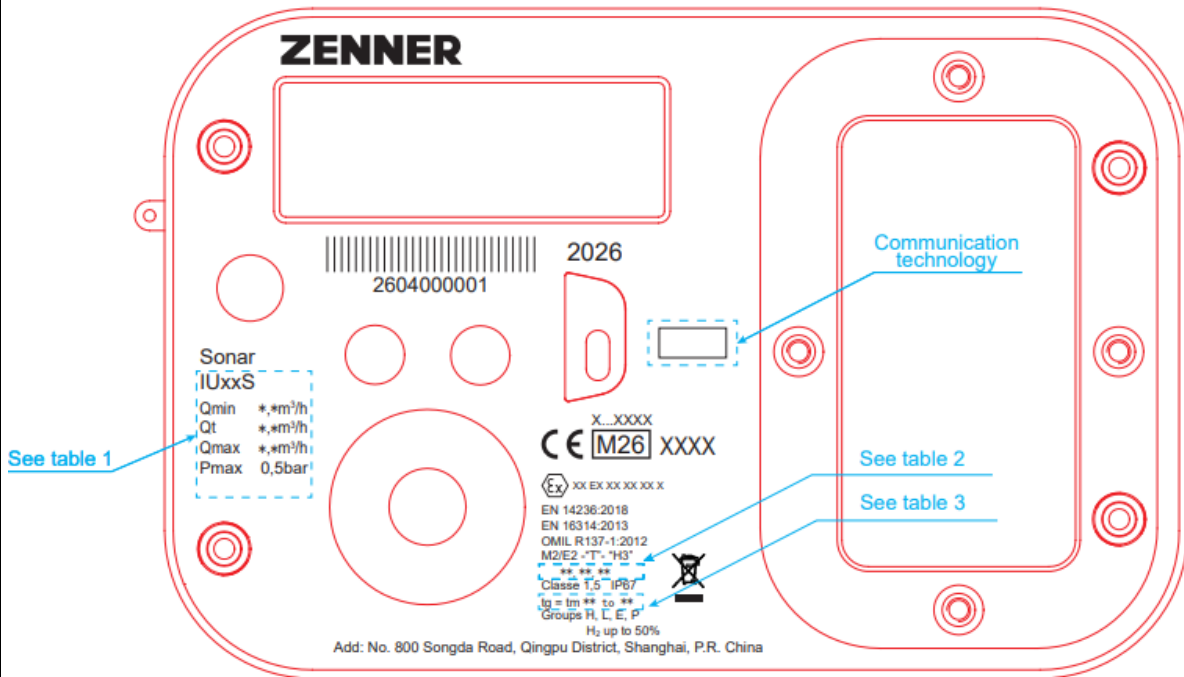


Table 1:

No.	"xx" in "IUxxS"	Qmin(*,*)	Qt(*,*)	Qmax(*,*)
1	G4	0.04	0.6	6
2	U6	0.04	0.6	6
3	U8	0.04	0.8	8

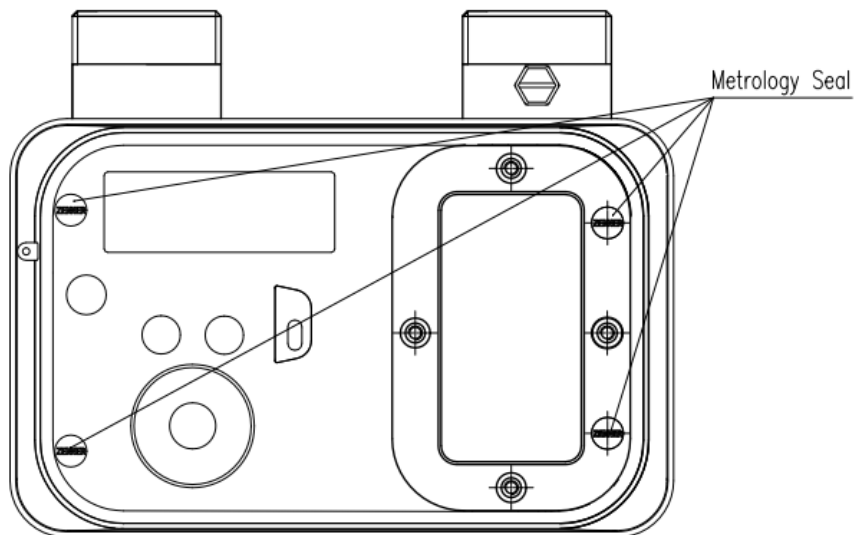
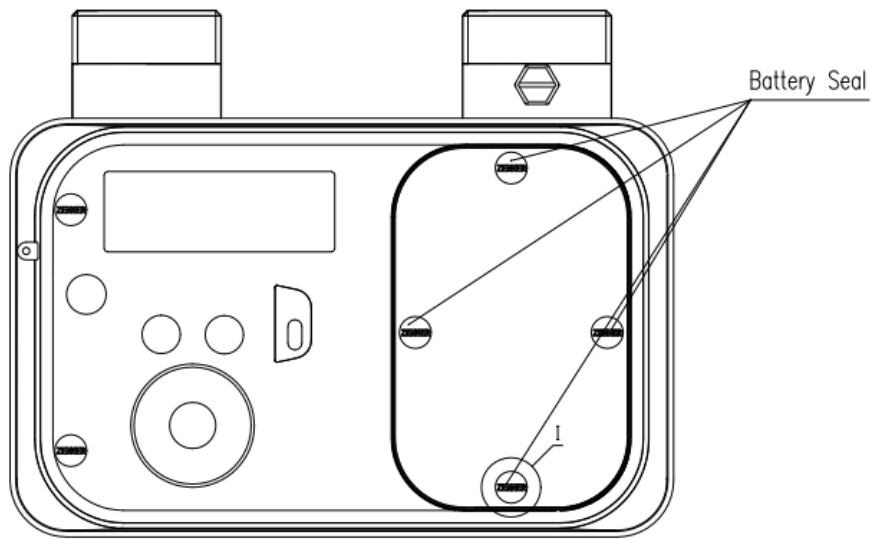
Table 2:

No.	T&P configuration(**,**,*)	Note
1	$t_{sp} 15^{\circ}\text{C}, t_b 15^{\circ}\text{C}$	Compensation T only
2	$t_{sp} 15^{\circ}\text{C}, t_b 15^{\circ}\text{C}, p_b 101.325\text{Kpa}$	Compensation P and T
3	NA	No compensation

Table 3:

No.	tg, tm range(**to**)	Note
1	-25°C to +55°C	
2	-40°C to +70°C	

Sealing



Metrological seal