

**OIML Member State**

Italy

OIML Certificate No.

R137/2012-A-IT2-24.01 rev.02

OIML CERTIFICATE ISSUED UNDER SCHEME A**OIML Issuing Authority**

Name: Tifernogas S.r.l.
Address: Via R. Morandi 44/d, 06012 Città di Castello (PG), Italy
Person responsible: Paolo Tafani Alunno

Applicant

Name: Qianwei Meters (Chongqing) Co., Ltd.
Address: no. 69, Middle Section, Huangshan Avenue, Dazhulin Subdistrict, Liangjiang New Area, Chongqing, China

Manufacturer

Name: Qianwei Meters (Chongqing) Co., Ltd.
Address: no. 69, Middle Section, Huangshan Avenue, Dazhulin Subdistrict, Liangjiang New Area, Chongqing, China

Identification of the certified type *(the detailed characteristics will be defined in the additional pages)*

Type: Diaphragm gas meter
G1.6(AL) G2.5(AL) G1.6(QW/AL) G2.5(QW/AL) G4(QW/AL)
G1.6(ST) G2.5(ST) G1.6(QW/ST) G2.5(QW/ST) G4(QW/ST)

Designation of the module *(if applicable)*

Not applicable

This OIML Certificate attests the conformity of the above identified type (represented by the sample(s) identified in the OIML type evaluation report) with the requirements of the following Recommendation of the International Organization of Legal Metrology (OIML):

OIML R 137

Edition (year): 2012, including Amendment 2014

For accuracy class (if applicable): 1.5

OIML Certificate No.

R137/2012-A-IT2-24.01 rev.02

This OIML Certificate relates only to metrological and technical characteristics of the type of measuring instrument covered by the relevant OIML Recommendation identified above.

This OIML Certificate does not bestow any form of legal international approval.

The conformity was established by the results of tests and examinations provided in the associated OIML type evaluation report:

No. TER24.01 dated 18 June 2024 that includes 38 pages

No. TER26.01 dated 20 March 2026 that includes 13 pages

The technical documentation relating to the identified type is contained in documentation repository:

No. QW 2026/000012

OIML Certificate History

Revision No.	Date	Description of the modification
0	19/06/2024	Certificate Issuing
1	21/06/2024	P_{max} values updated
2	23/03/2026	Extension of the gas temperature range, maximum pressure for aluminum meters and connection threads size

The OIML Issuing Authority

Paolo Tafani Alunno

Head of OIML Issuing Authority

Date: 23 March 2026

Important note: Apart from the mention of the Certificate's reference number and the name of the OIML Member State in which the Certificate is issued, partial quotation of the Certificate and of the associated OIML type evaluation report(s) is not permitted, although either may be reproduced in full.

General information of the instrument type

Manufacturer's trade mark	QW//CSSC
Type designation	G1.6(AL) G2.5(AL) G1.6(QW/AL) G2.5(QW/AL) G4(QW/AL) G1.6(ST) G2.5(ST) G1.6(QW/ST) G2.5(QW/ST) G4(QW/ST)
Accuracy class	1.5
Connection threads size	M30x2, M34x1.5, G1", G7/8", G3/4", BS1", BS3/4", NPT1", NPT3/4"
Environmental classes	M1
Ambient temperature range	-20°C / +60°C
Gas temperature range	Meters with cyclic volume 1.2 dm ³ /h: -10°C / +55°C Meters with cyclic volume 0.8 dm ³ /h: -10°C / +40°C
Base pressure	Not applicable
Base temperature	Not applicable
t _{sp}	Not applicable
Orientation	Connection ports vertical
Flow direction	Forward flow only (left to right)
Indicating device	Mechanical
Ancillary devices	Not applicable
Electrical power	Not applicable
Software identification	Not applicable

Additional information of the instrument type

Size	Designation	Q _{max} [m ³ /h]	Q _t [m ³ /h]	Q _{min} [m ³ /h]	Cyclic vol. [dm ³]	Cases material	P _{max} [bar]	Conn. Dist. [mm]
G1.6	G1.6(AL)	2.5	0.25	0.016	1.2	Alum	2	130
G2.5	G2.5(AL)	4	0.4	0.025	1.2	Alum	2	130
G4	G4(QW/AL)	6	0.6	0.04	1.2	Alum	2	130
G1.6	G1.6(QW/AL)	2.5	0.25	0.016	0.8	Alum	2	90
G2.5	G2.5(QW/AL)	4	0.4	0.025	0.8	Alum	2	90
G1.6	G1.6(ST)	2.5	0.25	0.016	1.2	Steel	0.5	130
G2.5	G2.5(ST)	4	0.4	0.025	1.2	Steel	0.5	130
G4	G4(QW/ST)	6	0.6	0.04	1.2	Steel	0.5	130
G1.6	G1.6(QW/ST)	2.5	0.25	0.016	0.8	Steel	0.5	110
G2.5	G2.5(QW/ST)	4	0.4	0.025	0.8	Steel	0.5	110

Labels

G1.6(AL) Class 1.5 Diaphragm Gas Meter
EN1359:2017
M1 E1 T10859 rev.2

Q_{max}	2.5 m ³ /h
Q_1	0.25 m ³ /h
Q_{min}	0.016 m ³ /h
V_1	1.2 dm ³
P_{max}	2 bar
t_m	-20°C~60°C
t_2	-10°C~55°C

2026.03 2603000003
OIML R 137-1 & 2: 2012

CE M26 0407

Address No.68,Middle Section,Huangshan Ave.,
YuBei District,Chongqing,P.R.China

G2.5(AL) Class 1.5 Diaphragm Gas Meter
EN1359:2017
M1 E1 T10859 rev.2

Q_{max}	4 m ³ /h
Q_1	0.4 m ³ /h
Q_{min}	0.025 m ³ /h
V_1	1.2 dm ³
P_{max}	2 bar
t_m	-20°C~60°C
t_2	-10°C~55°C

2026.03 2603000061
OIML R 137-1 & 2: 2012

CE M26 0407

Address No.68,Middle Section,Huangshan Ave.,
YuBei District,Chongqing,P.R.China

G1.6(QW/AL) Diaphragm Gas Meter
EN1359:2017
T MI E1 Class1.5

Q_{max}	2.5 m ³ /h
Q_1	0.25 m ³ /h
Q_{min}	0.016 m ³ /h
V_1	0.8 dm ³
P_{max}	2 bar
t_m	-20°C~60°C
t_2	-10°C~40°C

2026.03 2603000301
Qianwei Meters(chongqing)Co.,Ltd.
Address: Middle section No.68 of Huangshan Avenue,
Yu Bei District,Chongqing,P.R.China

CE M26 0407

EN1359:2017 0407-MID-149(IG-018-2019)rev.5
OIML R137-1 & 2:2012

G2.5(QW/AL) Diaphragm Gas Meter
EN1359:2017
T MI E1 Class1.5

Q_{max}	4 m ³ /h
Q_1	0.4 m ³ /h
Q_{min}	0.025 m ³ /h
V_1	0.8 dm ³
P_{max}	2 bar
t_m	-20°C~60°C
t_2	-10°C~40°C

2026.03 2603000321
Qianwei Meters(chongqing)Co.,Ltd.
Address: Middle section No.68 of Huangshan Avenue,
Yu Bei District,Chongqing,P.R.China

CE M26 0407

EN1359:2017 0407-MID-149(IG-018-2019)rev.5
OIML R137-1 & 2:2012

G4(QW/AL) Class 1.5 Diaphragm Gas Meter
EN1359:2017
0407-MID-149(IG-018-2019)rev.5

Q_{max}	6 m ³ /h
Q_1	0.6 m ³ /h
Q_{min}	0.04 m ³ /h
V_1	1.2 dm ³
P_{max}	2 bar
t_m	-20°C~60°C
t_2	-10°C~55°C

2026.03 2603000081
OIML R 137-1 & 2: 2012

CE M26 0407

Address No.68,Middle Section,Huangshan Ave.,
YuBei District,Chongqing,P.R.China

G4(QW/ST) Diaphragm Gas Meter
EN1359:2017
0407-MID-149(IG-018-2019)rev.5

Q_{max}	6 m ³ /h
Q_1	0.6 m ³ /h
Q_{min}	0.04 m ³ /h
V_1	1.2 dm ³
P_{max}	2 bar
t_m	-20°C~60°C
t_2	-10°C~55°C

2026.03 2603000201
QW//CSSC
Qianwei Meters(chongqing)Co.,Ltd.
Address: Middle section No.68 of Huangshan Avenue,
Yu Bei District,Chongqing,P.R.China

CE M26 0407

EN1359:2017 0407-MID-149(IG-018-2019)rev.5
OIML R137-1 & 2:2012

G1.6(ST) Diaphragm Gas Meter
EN1359:2017
T10859 rev.2

Q_{max}	2.5 m ³ /h
Q_1	0.25 m ³ /h
Q_{min}	0.016 m ³ /h
V_1	1.2 dm ³
P_{max}	2 bar
t_m	-20°C~60°C
t_2	-10°C~55°C

2026.03 2603000201
QW//CSSC
Qianwei Meters(chongqing)Co.,Ltd.
Address: Middle section No.68 of Huangshan Avenue,
Yu Bei District,Chongqing,P.R.China

CE M26 0407

EN1359:2017 T10859 rev.2
OIML R 137-1 & 2:2012

G2.5(ST) Diaphragm Gas Meter
EN1359:2017
T10859 rev.2

Q_{max}	4 m ³ /h
Q_1	0.4 m ³ /h
Q_{min}	0.025 m ³ /h
V_1	1.2 dm ³
P_{max}	2 bar
t_m	-20°C~60°C
t_2	-10°C~55°C

2026.03 2603000221
QW//CSSC
Qianwei Meters(chongqing)Co.,Ltd.
Address: Middle section No.68 of Huangshan Avenue,
Yu Bei District,Chongqing,P.R.China

CE M26 0407

EN1359:2017 T10859 rev.2
OIML R 137-1 & 2:2012

G1.6(QW/ST) Diaphragm Gas Meter
EN1359:2017
0407-MID-149(IG-018-2019)rev.5

Q_{max}	2.5 m ³ /h
Q_1	0.25 m ³ /h
Q_{min}	0.016 m ³ /h
V_1	0.8 dm ³
P_{max}	2 bar
t_m	-20°C~60°C
t_2	-10°C~40°C

2026.03 2603000361
Qianwei Meters(chongqing)Co.,Ltd.
Address: Middle section No.68 of Huangshan Avenue,
Yu Bei District,Chongqing,P.R.China

CE M26 0407

EN1359:2017 0407-MID-149(IG-018-2019)rev.5
OIML R 137-1 & 2:2012

G2.5(QW/ST) Diaphragm Gas Meter
EN1359:2017
0407-MID-149(IG-018-2019)rev.5

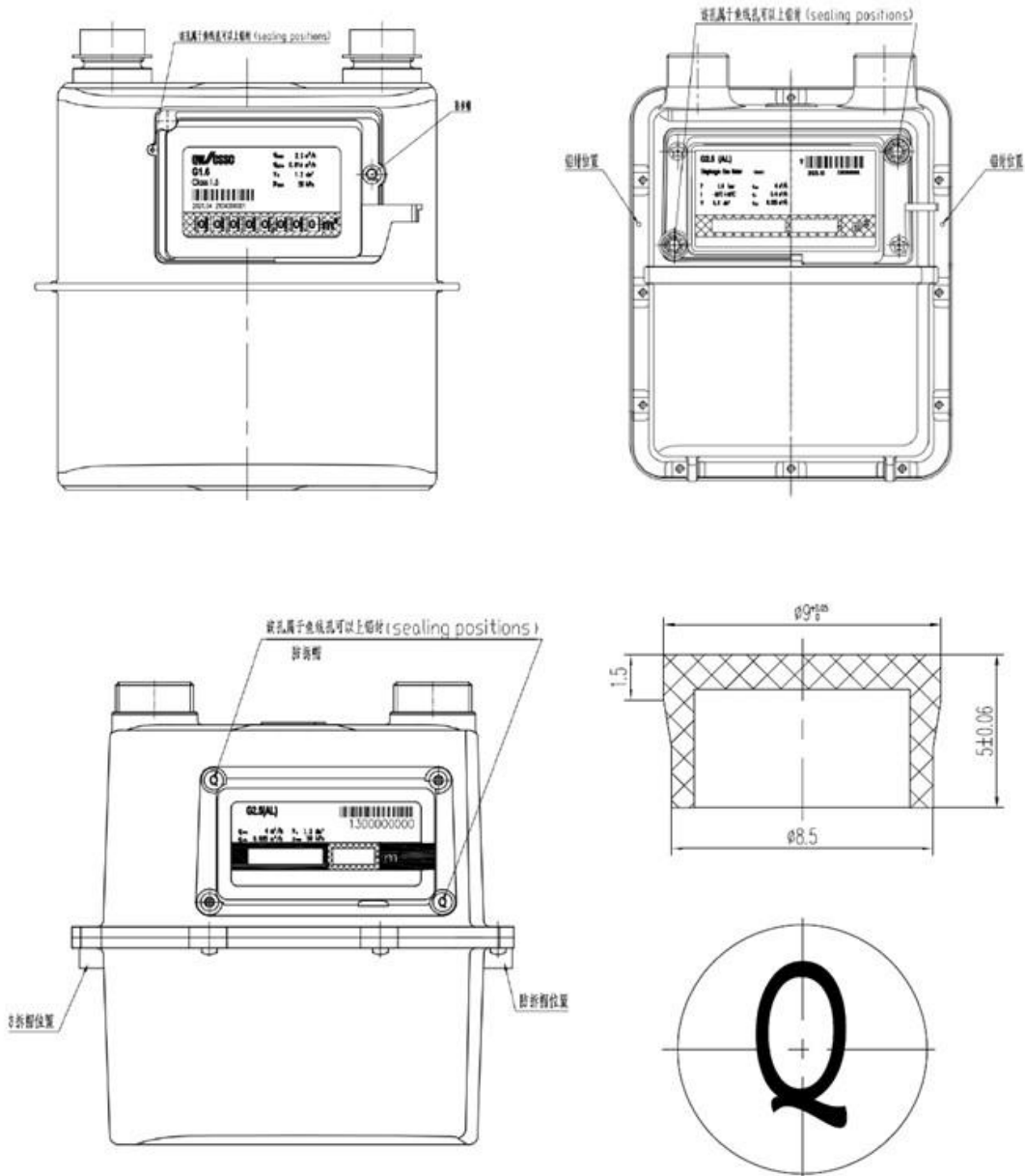
Q_{max}	4 m ³ /h
Q_1	0.4 m ³ /h
Q_{min}	0.025 m ³ /h
V_1	0.8 dm ³
P_{max}	2 bar
t_m	-20°C~60°C
t_2	-10°C~40°C

2026.03 2603000361
Qianwei Meters(chongqing)Co.,Ltd.
Address: Middle section No.68 of Huangshan Avenue,
Yu Bei District,Chongqing,P.R.China

CE M26 0407

EN1359:2017 0407-MID-149(IG-018-2019)rev.5
OIML R 137-1 & 2:2012

Sealing





for aluminium models G1,6 - G2,5



*for aluminium models G1,6 (QW/AL)
and G2,5 (QW/AL)*



for steel models

